

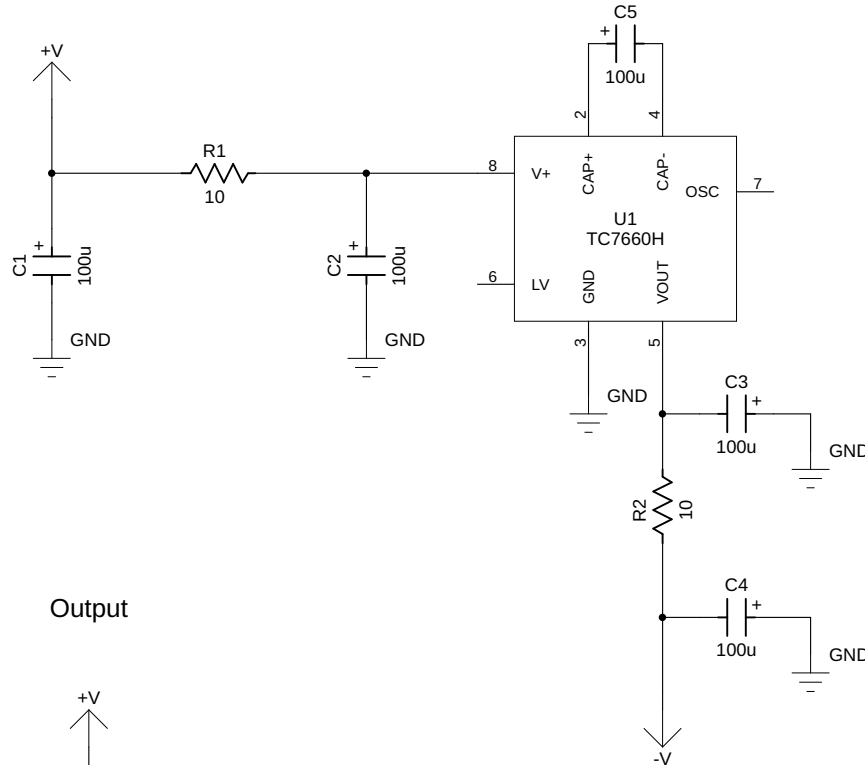
Doubles input voltage  $V_{IN}$  to  $+V_{OUT}$ , GND, and  $-V_{OUT}$ .

You can use this, for example, to get a balanced  $\pm 9V$  supply from a single 9V battery OR don't use the output GND and instead have a  $+18V$  single supply.

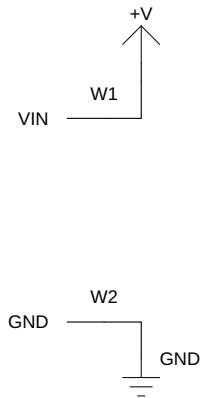
$V_{IN}$  must be between 3.0V and 10.0V. Do not exceed 10.0V.

The TC7660 has a built-in oscillator. This circuit includes filtering, but for sensitive applications you may wish to make sure that the frequency of oscillation is outside of your circuit's frequency range.

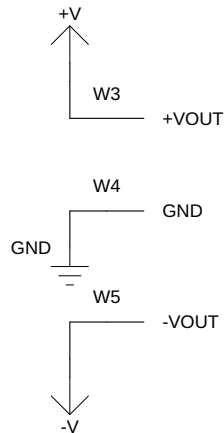
### Charge Pump



Input



Output



## Open Heart Effects

TITLE: Voltage Doubler

Document Number:

REV:  
A

Date: 4/1/21 10:19 AM

Sheet: 1/1